



VALLONE

SINKS / FREE STANDING SINKS INSTALLATION INSTRUCTIONS

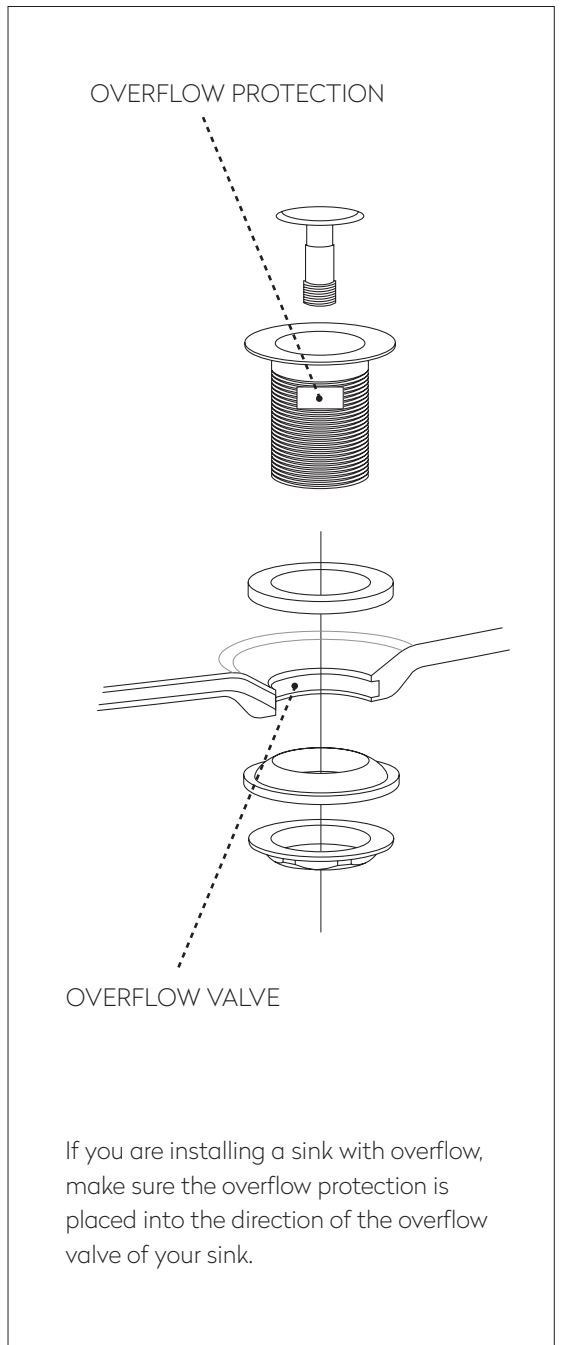
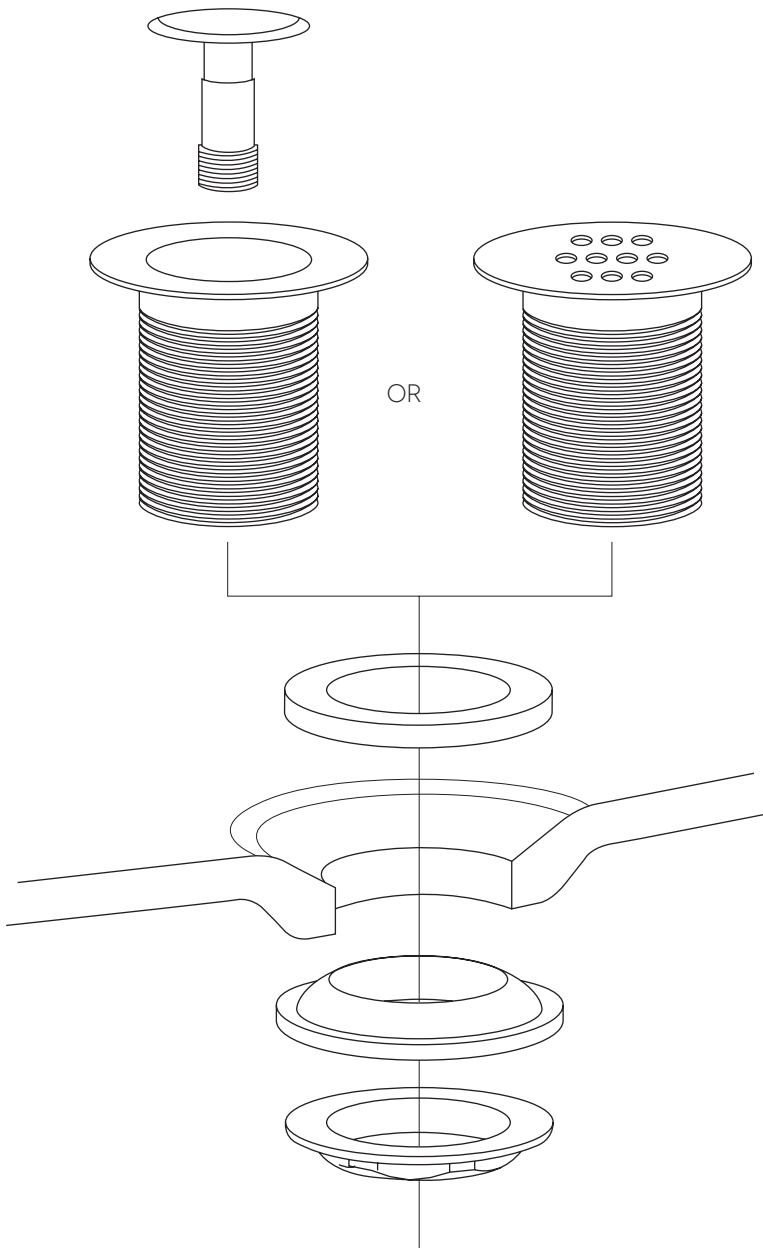
NINFEA
CHAMAREL
ALMANDIN
NUTSHELL
ROTONDO

TORSO
CONIC
DIABLO
HUDSON
SAPHIRO
TACCO
TRUMPET
TRUNK
CHAMPLAIN



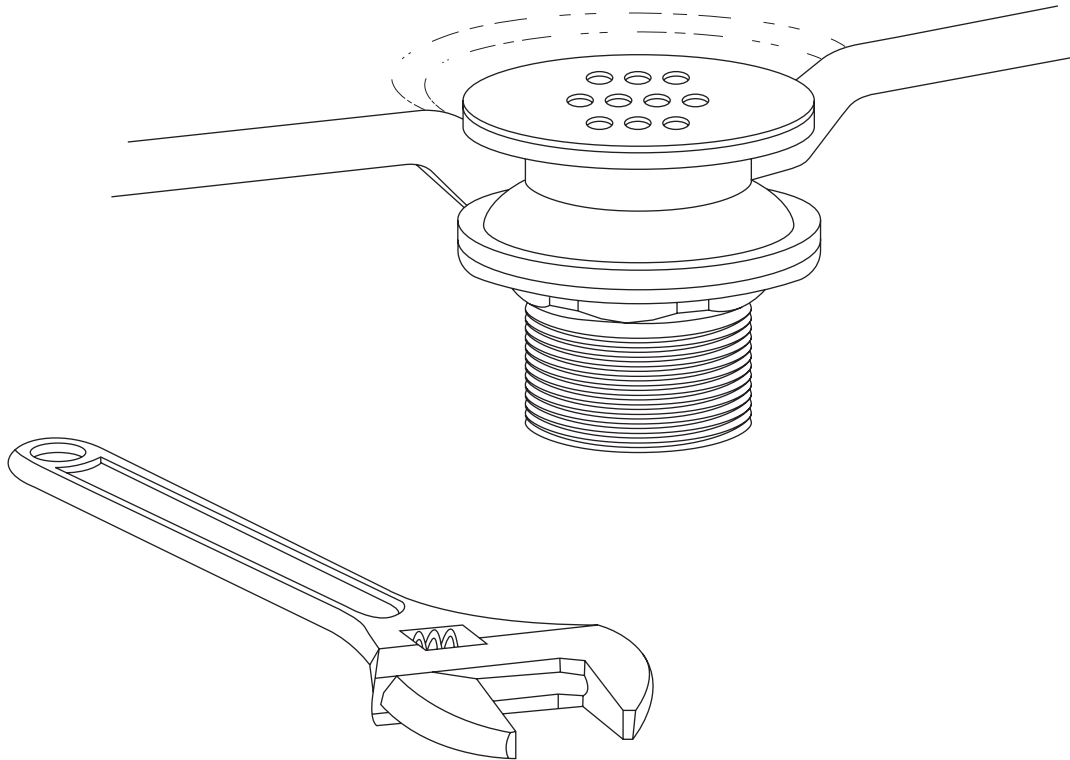
— WWW.VALLONE.DE

1



If you are installing a sink with overflow, make sure the overflow protection is placed into the direction of the overflow valve of your sink.

2

**PLEASE NOTE:**

Every installation should be performed by a specialist who is aware of all legal requirements. We are careful to point out that VALLONE® is not liable for inappropriate usage. Please also note that we are offering several products which do not contain overflow protection. However, it is possible that water brims over the vessel even if the object does contain a protection. Thus, we recommend you to pay close attention when using products without overflow protection. A missing overflow protection does not represent a flaw but rather the character of the contract good according to the respective product description.

CLEANING AND MAINTENANCE

GENERAL INFORMATION: Scratches, lines, bubbles, and any other imperfections at the bottom of your sink (not visible after set-up) do not affect the function of the sink and are not considered to be flaws.

CLEANING: All VALLONE® products can easily be cleaned with acid-free cleansers. For regular cleaning use a wet cloth (no microfiber). We recommend you to immediately remove any impurification, especially hair colorant, with water (under 65°C). Severe impurifications should be removed with a scratch-free sponge. Clean the affected area by using circuiting motions and rinse out with water. Afterwards, dry the area with a soft cloth.

MAINTENANCE: Velvet Stone™ by VALLONE® is a highly resilient and firm material. Especially our matt products prove to be very easy-to-handle. You can carve out any scratches or spots that cannot be removed through cleaning by using fine sand paper (1000 – 2000 grade grit) without to harm the material. Please notice that the process for glossy surfaces differs in a way that you have to grind wet (1000 – 2000 grade grit sand paper) and polish the area with smooth polishing compound afterwards.